

Features

- Modern design.
- Ceramic sink with overflow.
- Sink features counter space.
- Water resistant exterior vanity panels.
- 2 Soft-closing drawer.
- Black cabinet handles.

Material

- White ceramic integrated sink.
- Engineered wood vanity base.

Installation

- Wall mounted installation.

Configurations

- Single hole.
- No hole (special order). Three
- hole (special order).

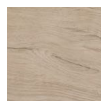


Nameek's One-Year Limited Warranty

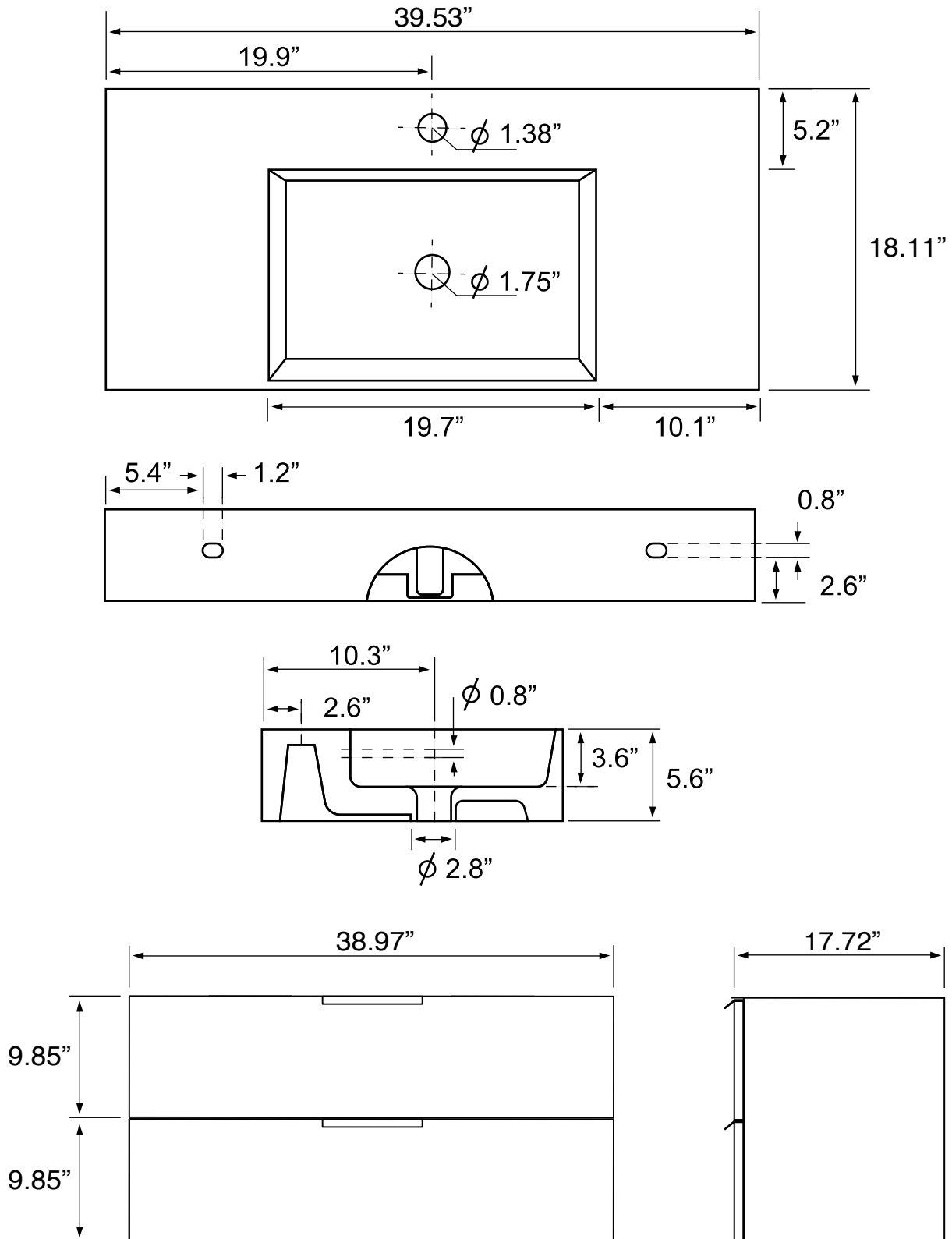
See website for warranty information details.

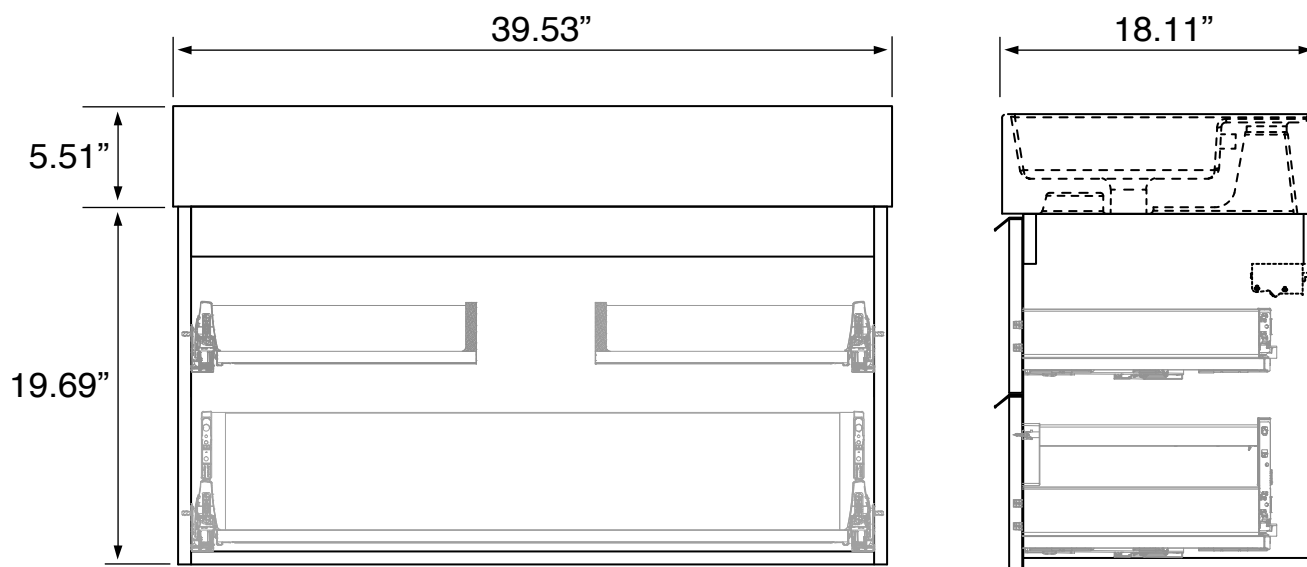
Vanity Cabinet Color/Finish Details

Color	Description
-------	-------------



Brown Oak





Technical Information

Bowl type:	Single
Installation:	Wall mounted
Bowl dimensions:	Depth: 3.6" Width: 13.2" Length: 19.7"
Drain hole:	1.75"
Faucet hole:	1.38"
Hole configurations:	0, 1, 3
Weight:	140 lbs

Notes

Install this product according to the installation instructions.

Includes mounting hardware.

USA/Canada: 215.256.4197

Nameek's reserves the right to make revisions without notice to product specifications.
For more information, go to www.nameeks.com